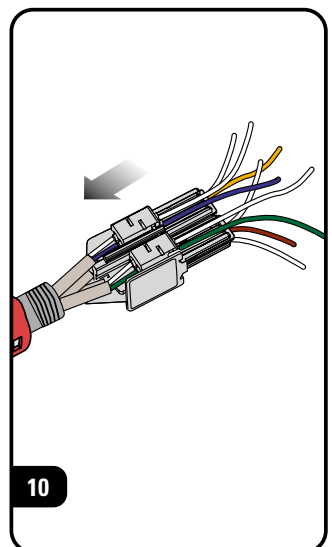
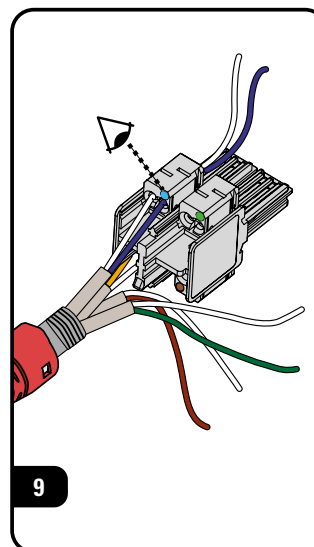
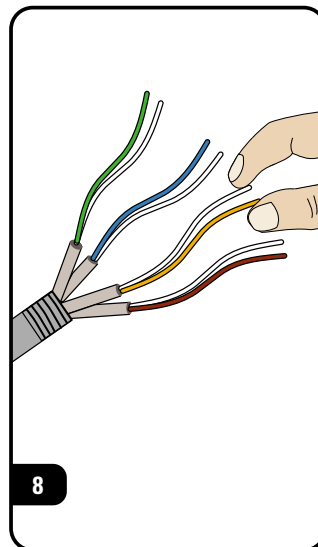
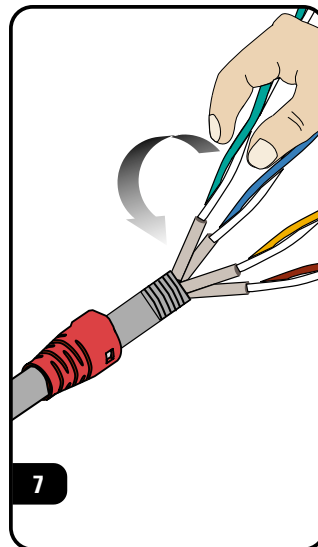
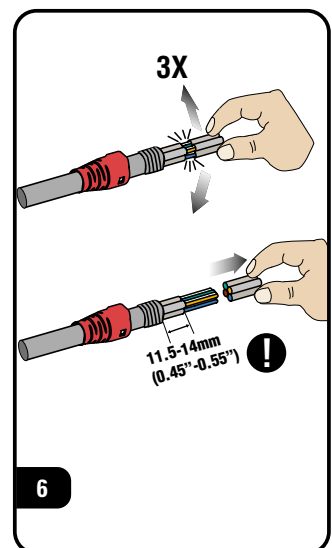
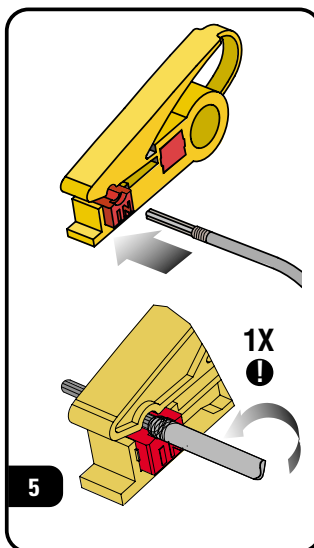
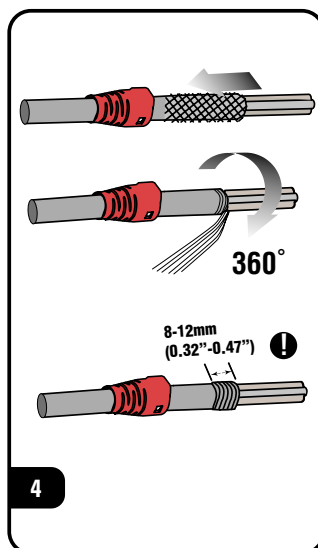
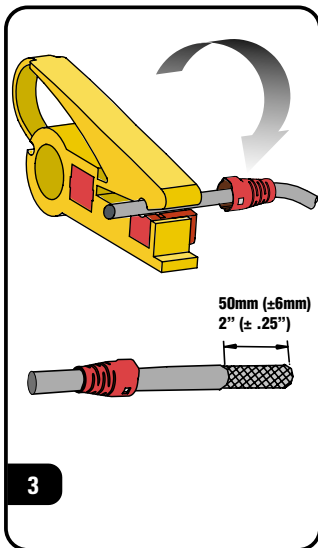
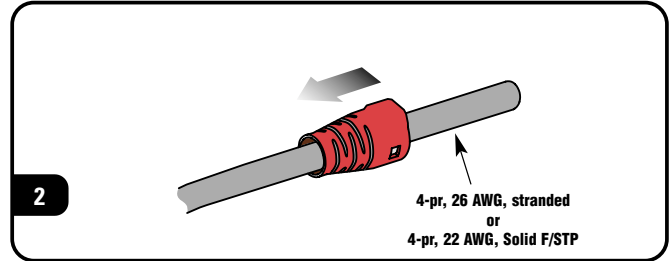
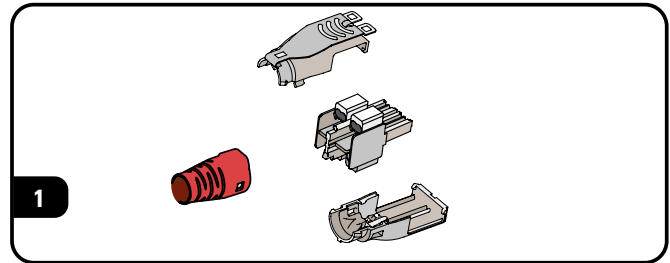
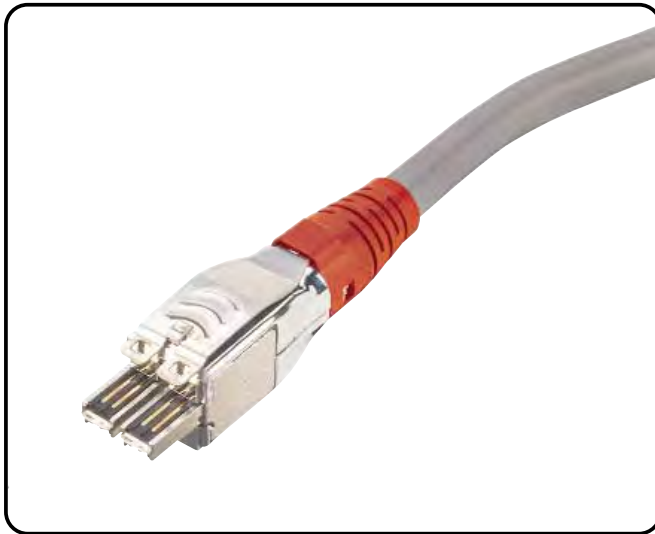
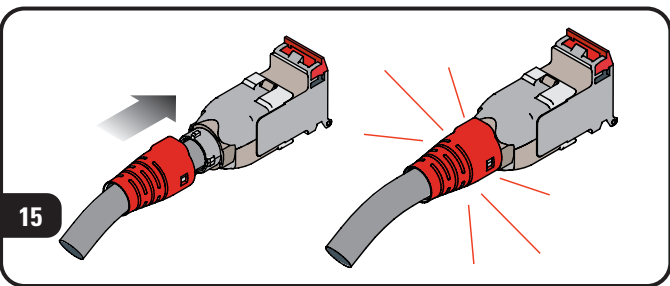
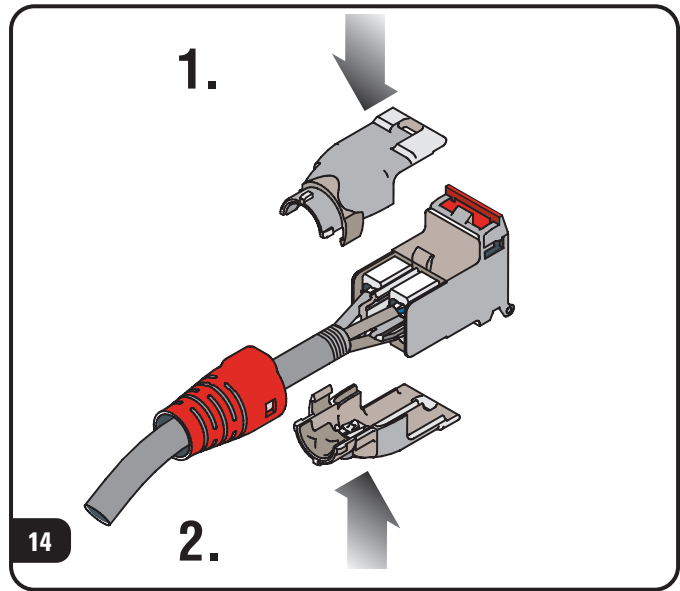
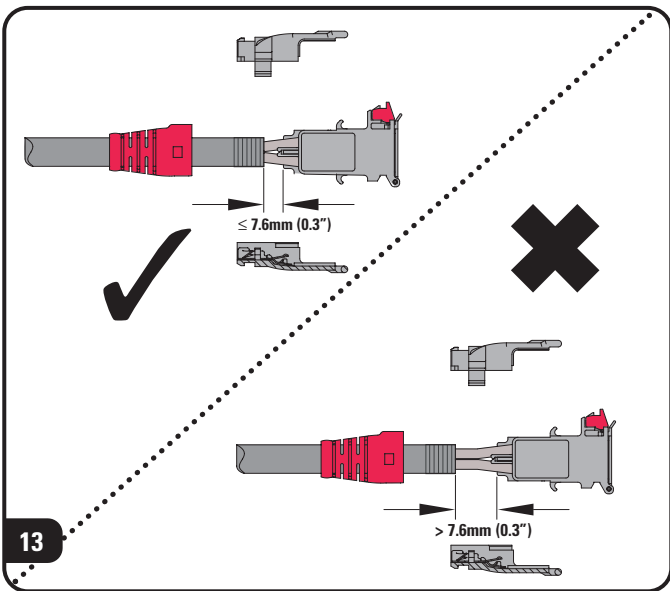
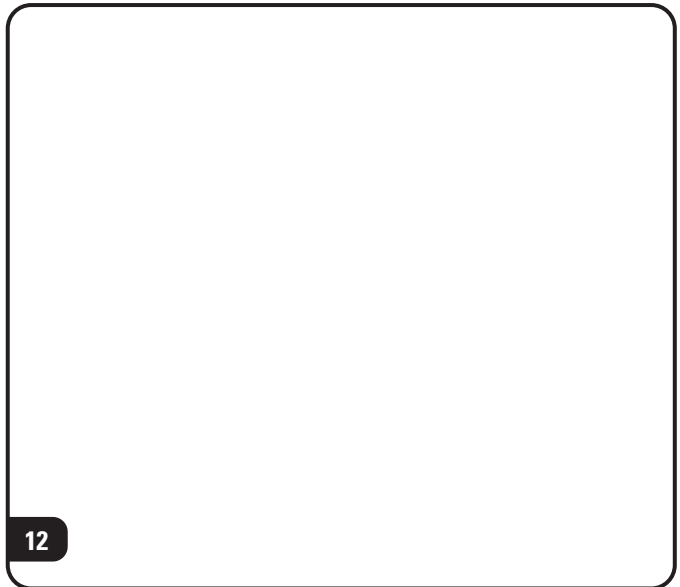
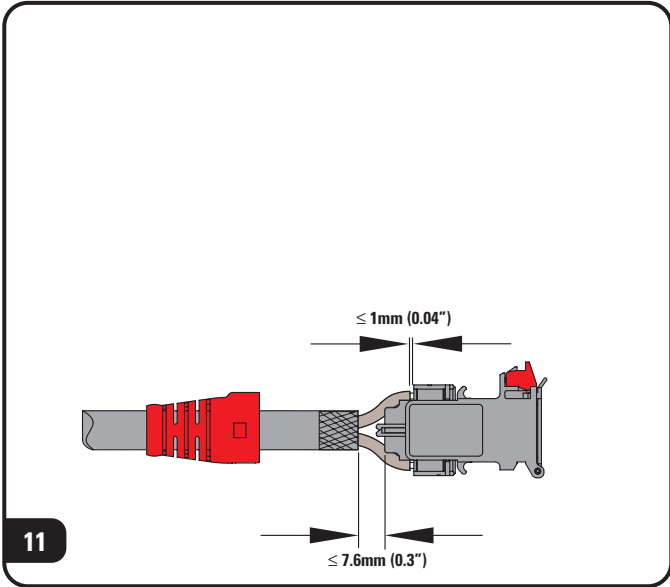




Category 7, 4-pair plug termination instructions



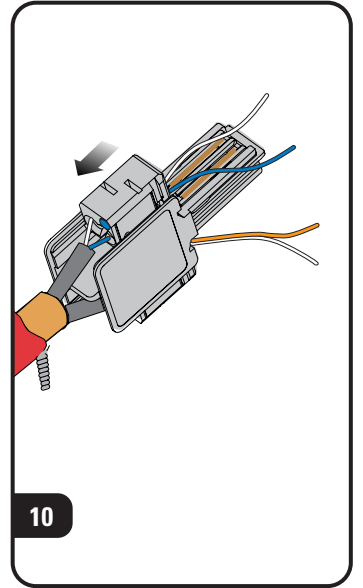
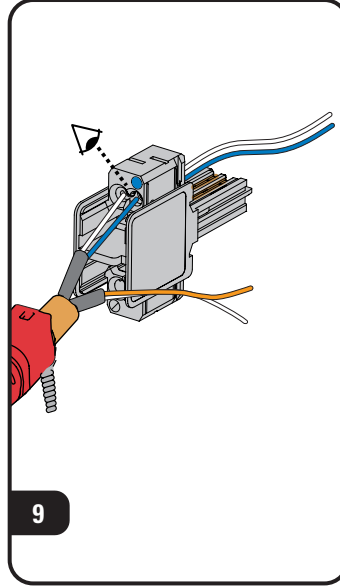
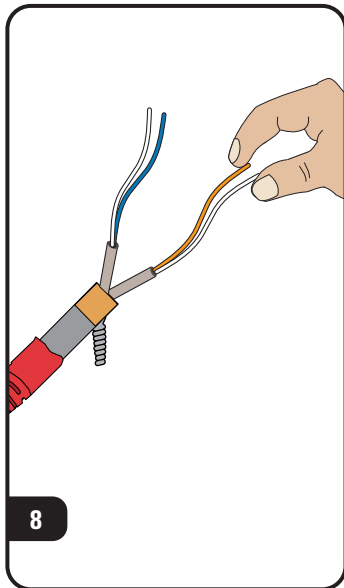
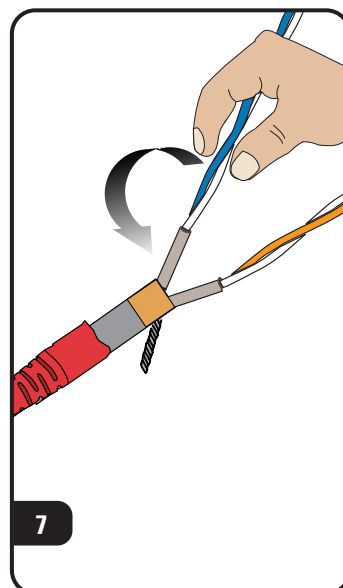
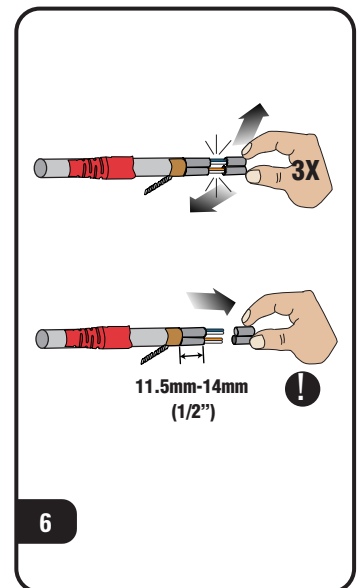
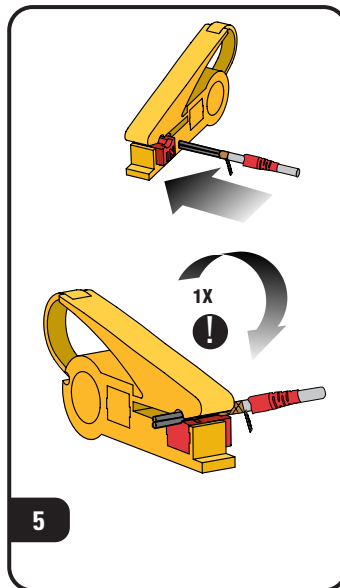
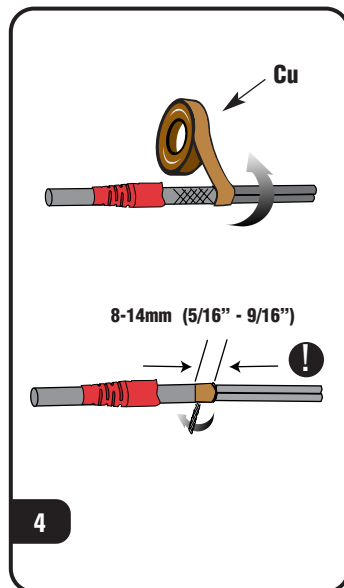
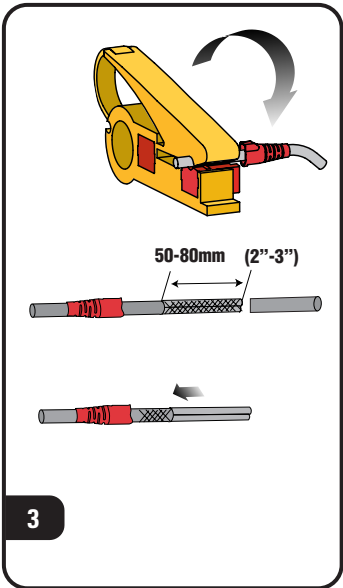
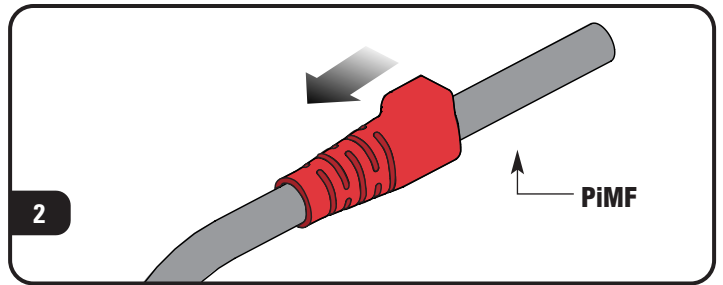
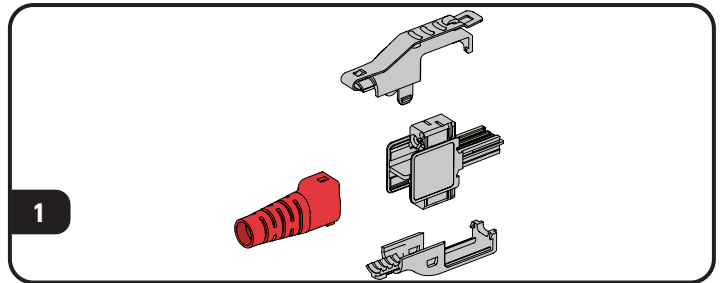


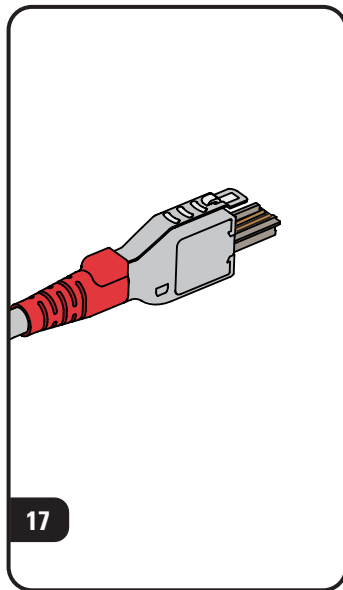
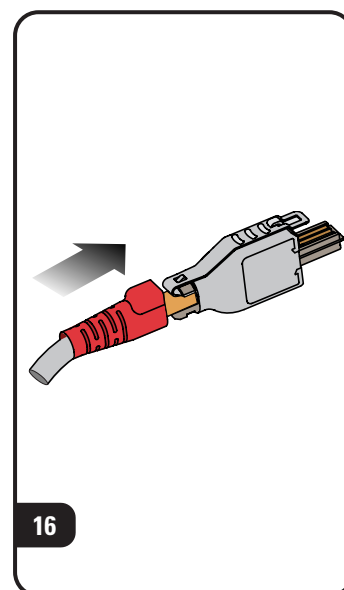
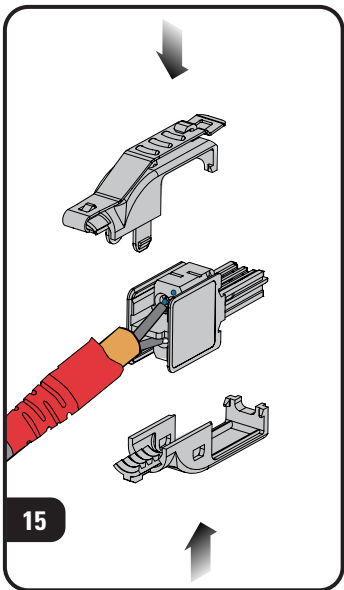
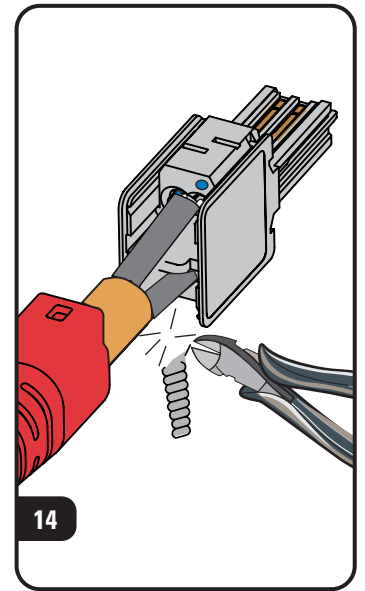
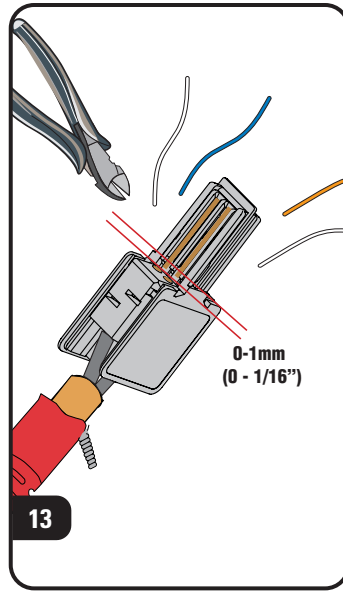
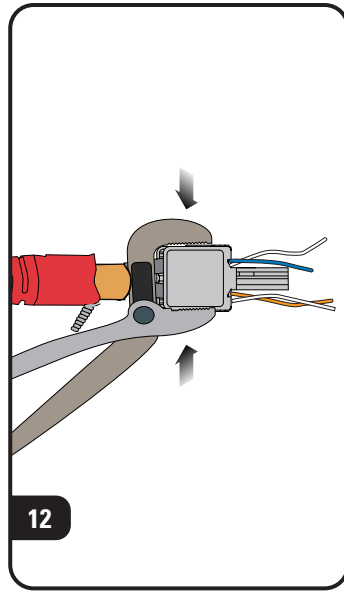
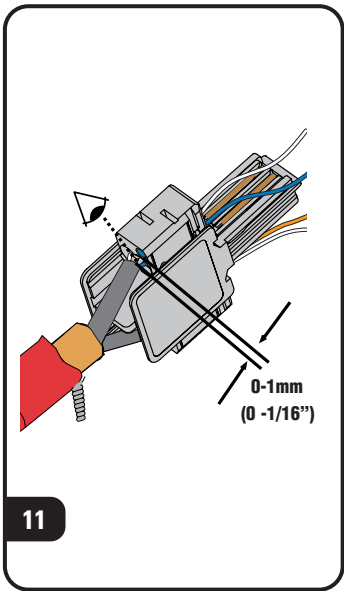
To assist safe installations, comply with the following:

- A. Use caution when installing or modifying telecommunications circuits.
- B. Never touch uninsulated wire terminals unless the circuit has been disconnected.
- C. Never install this device in a wet location.
- D. Never install wiring during a lightning storm.






Category 7, 2-pair plug cable preparation and termination instructions

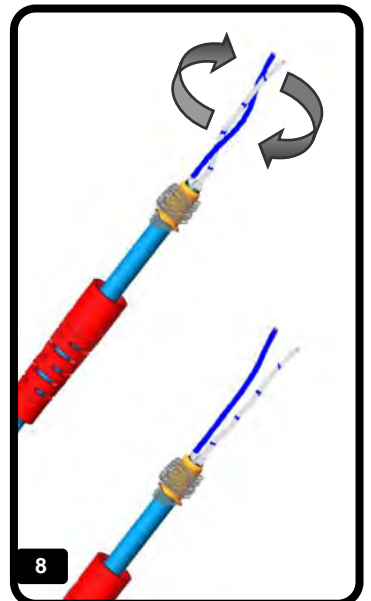
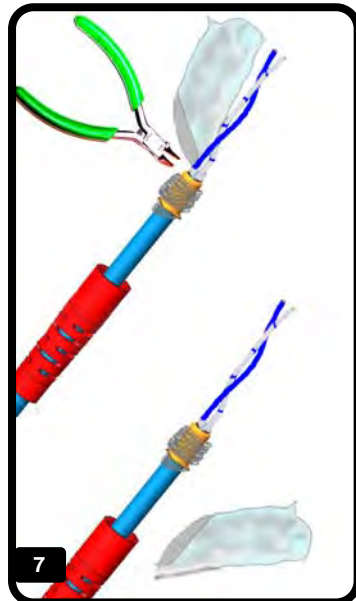
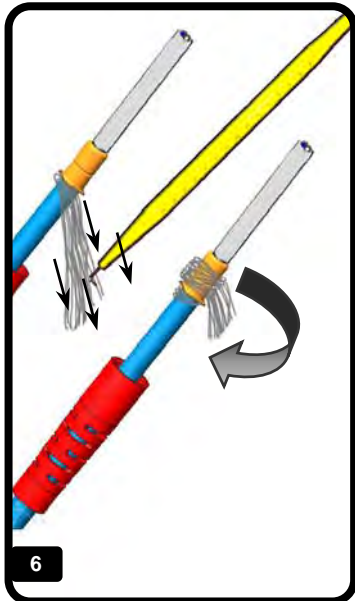
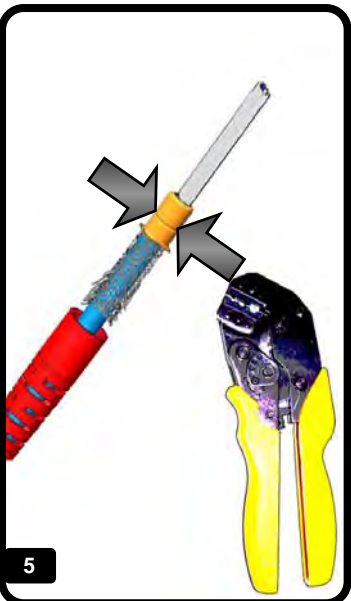
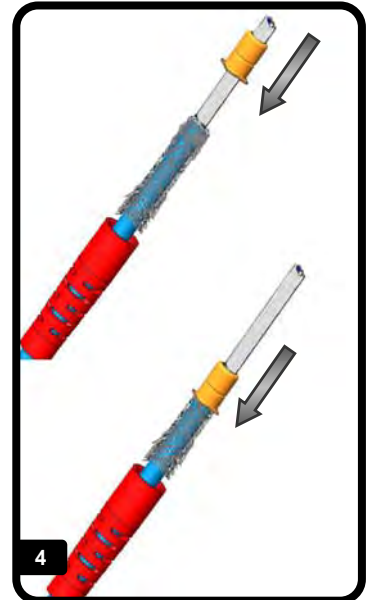
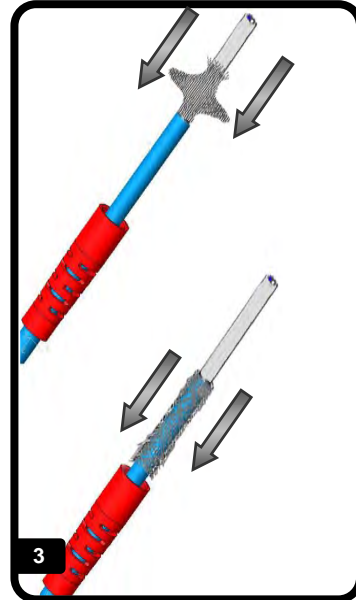
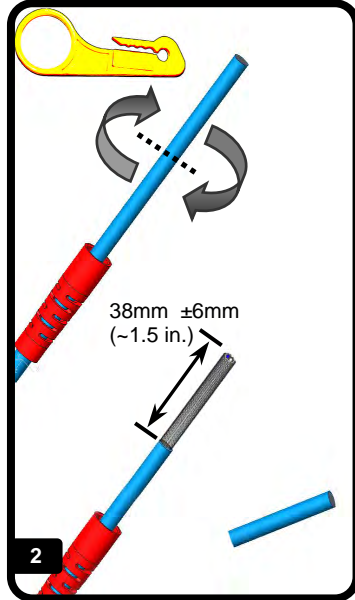
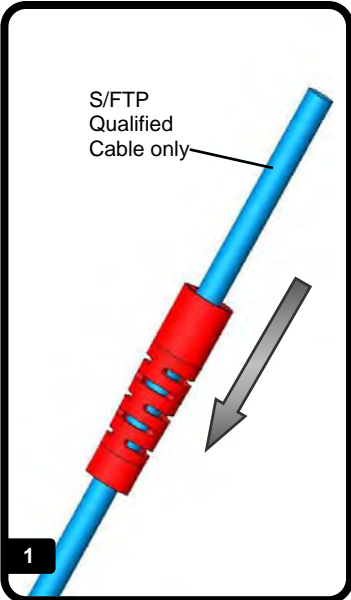
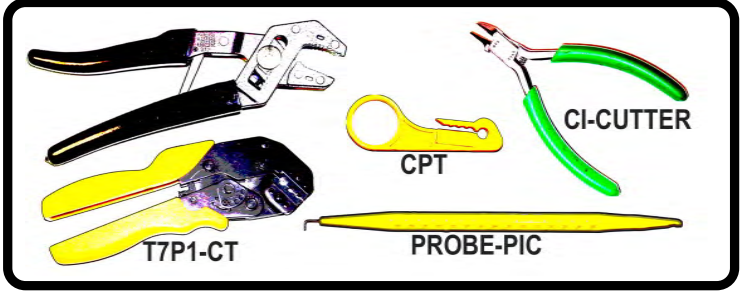
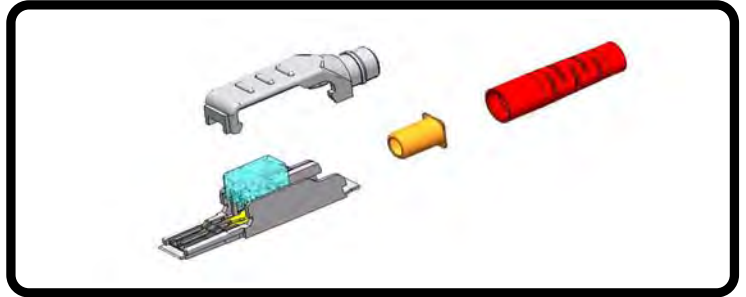
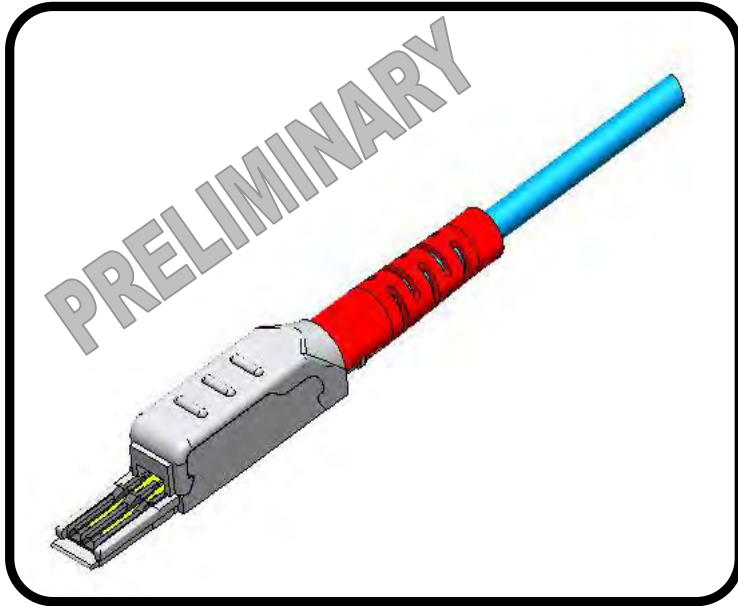




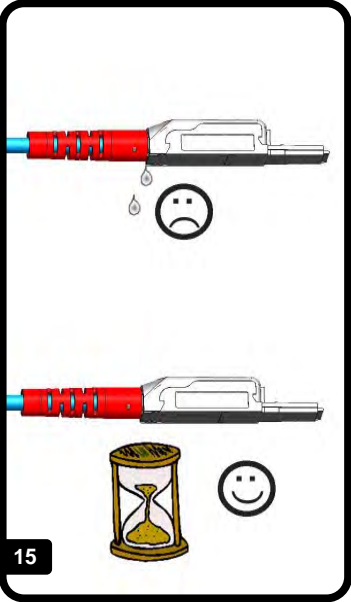
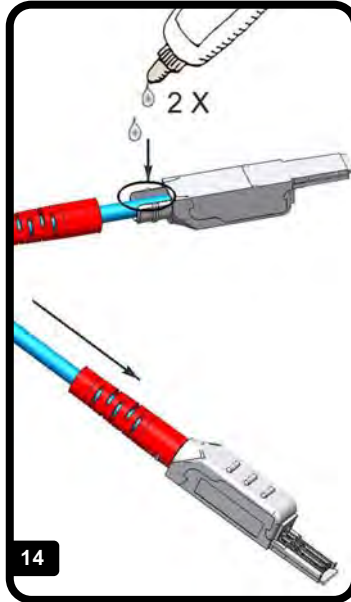
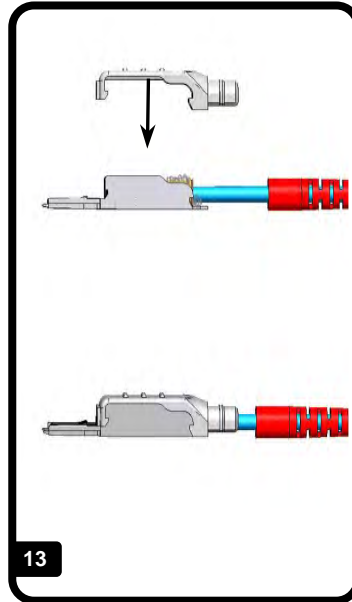
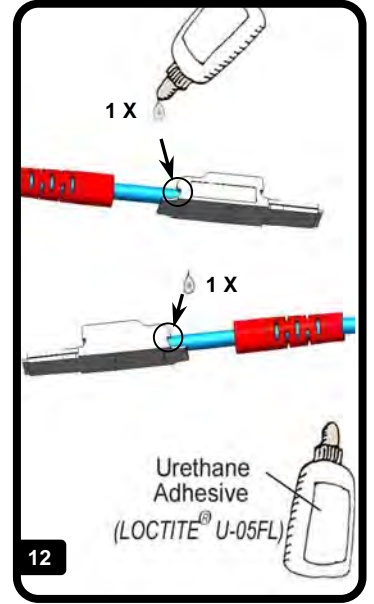
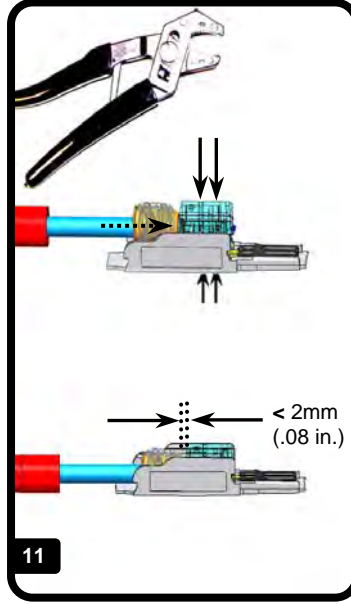
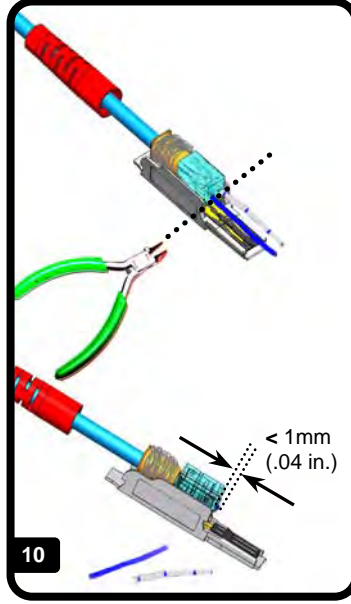
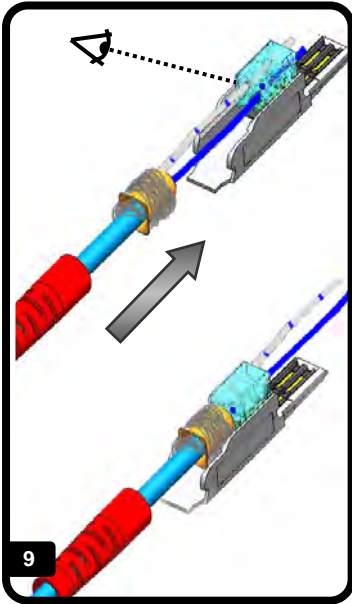
To assist safe installations, comply with the following:

- A. Use caution when installing or modifying telecommunications circuits. 
- B. Never touch uninsulated wire terminals unless the circuit has been disconnected.
- C. Never install this device in a wet location. 
- D. Never install wiring during a lightning storm.

1-Pair ScTP Plug Instructions



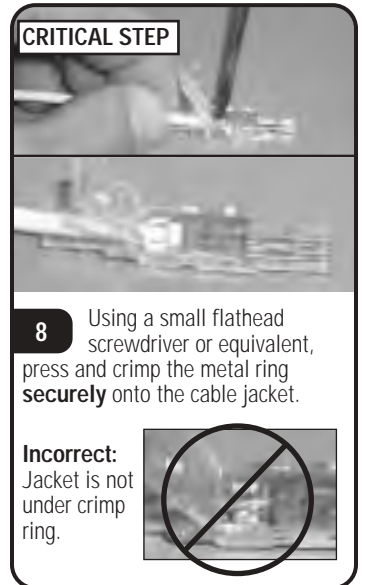
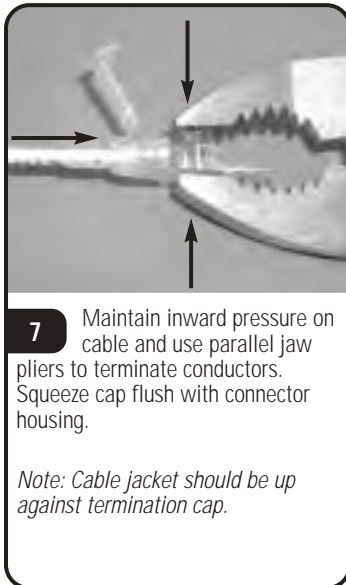
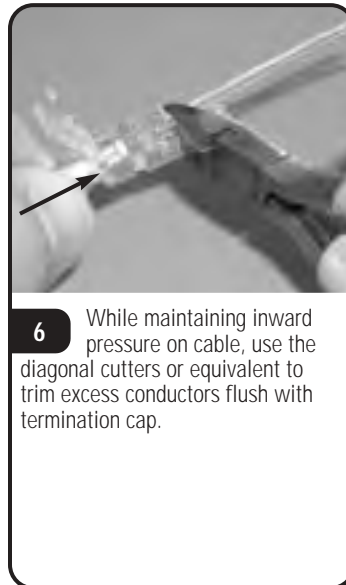
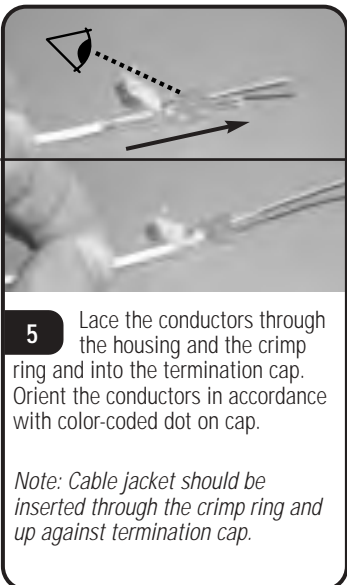
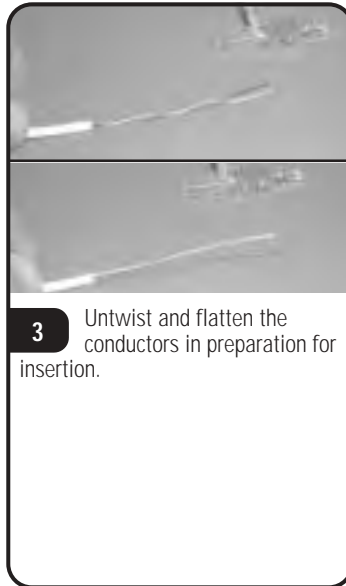
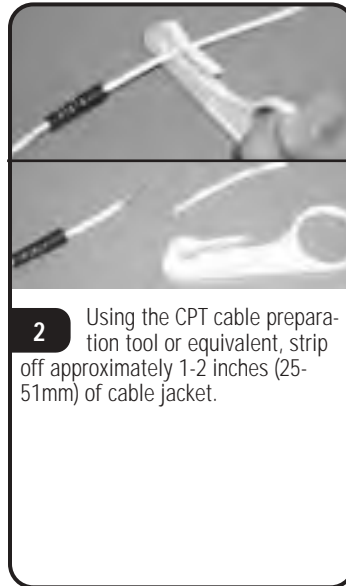
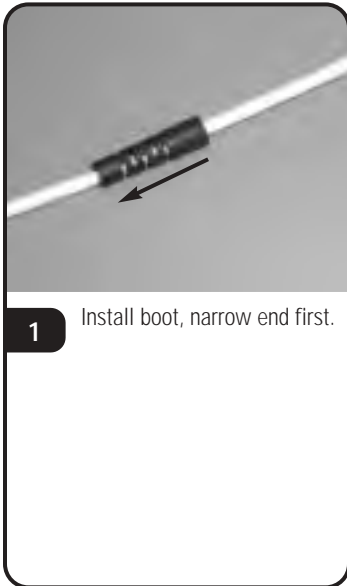
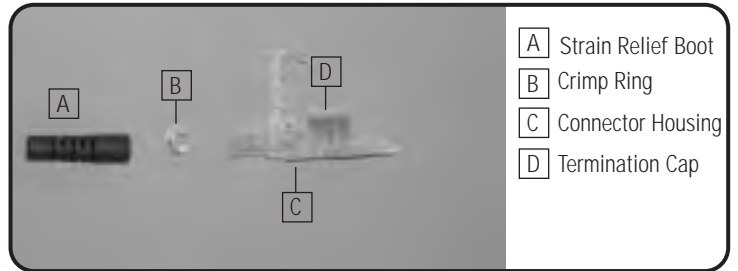
1-Pair ScTP Plug Instructions



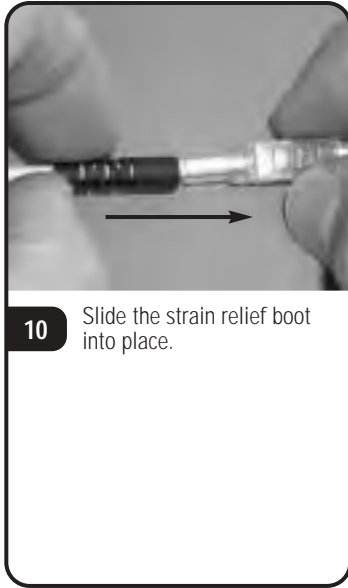
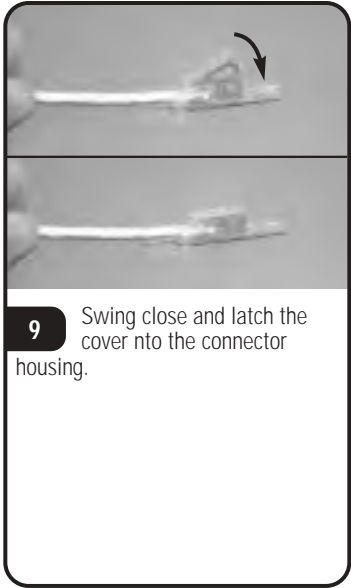
To assist safe installations, comply with the following:

- A. Use caution when installing or modifying telecommunications circuits.
- B. Never touch uninsulated wire terminals unless the circuit has been disconnected.
- C. Never install this device in a wet location.
- D. Never install wiring during a lightning storm.

1-Pair UTP Plug Instructions



1-Pair UTP Plug Instructions



To assist safe installations, comply with the following:

- A. Use caution when installing or modifying telecommunications circuits.
- B. Never touch uninsulated wire terminals unless the circuit has been disconnected.
- C. Never install this device in a wet location.
- D. Never install wiring during a lightning storm.

