

RJ45 plug IP20 Cat.6_A shielded

for tool-less field assembly



Description

Field assembly 8-pin RJ45 plug, IP20, Category 6A, shielded, with quick connection technology.

Suitable for cables with the following properties:

Solid copper wire: 0.40 mm up to 0.64 mm, AWG 26/1 up to AWG 22/1

Stranded copper wire: 0.46 mm up to 0.76 mm, AWG 27/7 up to AWG 22/7

Cable sheath diameter: 6 mm up to 8 mm

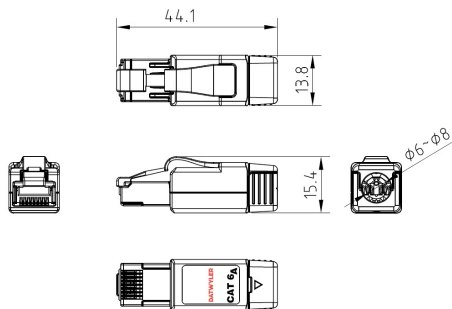
Protection rating: IP20

Solid housing made of zinc die cast.

Easy on-site assembly without any special tools.

With strain relief

Dimensions



Application

For the transmission of Ethernet protocols in structured premises cabling in the industrial sector.

In Support of 10Base-T, 100Base-T, 1000Base-T and 10GBase-T

In support of PoE and PoE+

Standards

Connector standards IEC 60603-7-51

Cabling standards ISO/IEC 11801

Versions

Material number	Product	Colour	Weight [kg]	Packing unit
418077	RJ45 plug, IP20, Category 6 _A , shielded, for field assembly	black	0.02 kg	1 pc.